



CD40192BM/CD40192BC Synchronous 4-Bit Up/Down Decade Counter

CD40193BM/CD40193BC Synchronous 4-Bit Up/Down Binary Counter

General Description

These up/down counters are monolithic complementary MOS (CMOS) integrated circuits. The CD40192BM and CD40192BC are BCD counters. While the CD40193BM and CD40193BC are binary counters.

Counting up and counting down is performed by two count inputs, one being held high while the other is clocked. The outputs change on the positive-going transition of this clock.

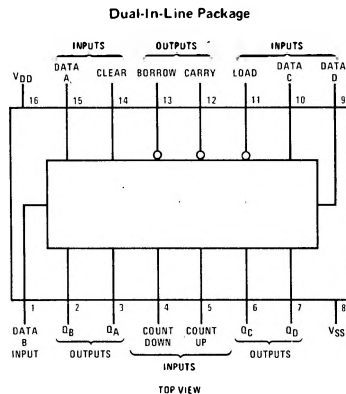
These counters feature preset inputs that are enabled when load is a logical "0" and a clear which forces all outputs to "0" when it is at logical "1". The counters also have carry and borrow outputs so that they can be cascaded using no external circuitry.

All inputs are protected against damage due to static discharge by clamps to V_{DD} and V_{SS} .

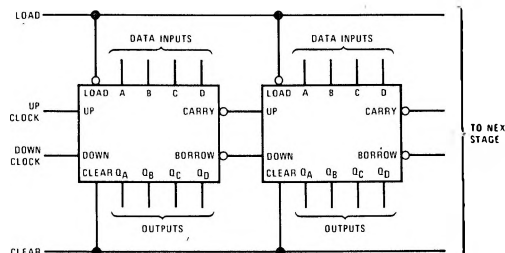
Features

- Wide supply voltage range 3V to 15V
- High noise immunity 0.45 V_{DD} (typ.)
- Low power TTL compatibility fan out of 2
driving 74L
or 1 driving 74LS
- Carry and borrow outputs for easy expansion to N-bit by cascading
- Asynchronous clear
- Equivalent to MM54C192/MM74C192
and MM54C193/MM74C193

Connection Diagram



Cascading Packages



Absolute Maximum Ratings

(Notes 1 and 2)

V _{DD} dc Supply Voltage	-0.5 to +18 V _{DC}
V _{IN} Input Voltage	-0.5 to V _{DD} + 0.5 V _{DC}
T _S Storage Temperature Range	-65°C to +150°C
P _D Package Dissipation	500 mW
T _L Lead Temperature, (Soldering, 10 seconds)	300°C

Recommended Operating Conditions

(Note 2)

V _{DD} dc Supply Voltage	3 to 15 V _{DC}
V _{IN} Input Voltage	0 to V _{DD} V _{DC}
T _A Operating Temperature Range	-55°C to +125°C
CD40192BM, CD40193BM	
CD40192BC, CD40193BC	-40°C to +85°C

DC Electrical Characteristics (Note 2) CD40192BM/CD40193BM

PARAMETER	CONDITIONS	-55°C		25°C			125°C		UNITS
		MIN	MAX	MIN	TYP	MAX	MIN	MAX	
I _{DD} Quiescent Device Current	V _{DD} = 5V		5			5		150	μA
	V _{DD} = 10V		10			10		300	μA
	V _{DD} = 15V		20			20		600	μA
V _{OL} Low Level Output Voltage	V _{DD} = 5V		0.05			0.05		0.05	V
	V _{DD} = 10V		0.05			0.05		0.05	V
	V _{DD} = 15V		0.05			0.05		0.05	V
V _{OH} High Level Output Voltage	V _{DD} = 5V	4.95		4.95			4.95		V
	V _{DD} = 10V	9.95		9.95			9.95		V
	V _{DD} = 15V	14.95		14.95			14.95		V
V _{IL} Low Level Input Voltage	V _{DD} = 5V, V _O = 0.5V or 4.5V		1.5			1.5		1.5	V
	V _{DD} = 10V, V _O = 1V or 9V		3.0			3.0		3.0	V
	V _{DD} = 15V, V _O = 1.5V or 13.5V		4.0			4.0		4.0	V
V _{IH} High Level Input Voltage	V _{DD} = 5V, V _O = 0.5V or 4.5V	3.5		3.5			3.5		V
	V _{DD} = 10V, V _O = 1V or 9V	7.0		7.0			7.0		V
	V _{DD} = 15V, V _O = 1.5V or 13.5V	11.0		11.0			11.0		V
I _{OL} Low Level Output Current	V _{DD} = 5V, V _O = 0.4V	0.64		0.51	0.88		0.36		mA
	V _{DD} = 10V, V _O = 0.5V	1.6		1.3	2.25		0.9		mA
	V _{DD} = 15V, V _O = 1.5V	4.2		3.4	8.8		2.4		mA
I _{OH} High Level Output Current	V _{DD} = 5V, V _O = 4.6V	-0.64		-0.51	-0.88		-0.36		mA
	V _{DD} = 10V, V _O = 9.5V	-1.6		-1.3	-2.25		-0.9		mA
	V _{DD} = 15V, V _O = 13.5V	-4.2		-3.4	-8.8		-2.4		mA
I _{IN} Input Current	V _{DD} = 15V, V _{IN} = 0V		-0.1		-10 ⁻⁵	-0.1		-1.0	μA
	V _{DD} = 15V, V _{IN} = 15V		0.1		10 ⁻⁵	0.1		1.0	μA

DC Electrical Characteristics (Note 2) CD40192BC/CD40193BC

PARAMETER	CONDITIONS	-40°C		25°C			85°C		UNITS
		MIN	MAX	MIN	TYP	MAX	MIN	MAX	
I _{DD} Quiescent Device Current	V _{DD} = 5V		20			20		150	μA
	V _{DD} = 10V		40			40		300	μA
	V _{DD} = 15V		80			80		600	μA
V _{OL} Low Level Output Voltage	V _{DD} = 5V		0.05			0.05		0.05	V
	V _{DD} = 10V		0.05			0.05		0.05	V
	V _{DD} = 15V		0.05			0.05		0.05	V
V _{OH} High Level Output Voltage	V _{DD} = 5V	4.95		4.95			4.95		V
	V _{DD} = 10V	9.95		9.95			9.95		V
	V _{DD} = 15V	14.95		14.95			14.95		V
V _{IL} Low Level Input Voltage	V _{DD} = 5V, V _O = 0.5V or 4.5V		1.5			1.5		1.5	V
	V _{DD} = 10V, V _O = 1V or 9V		3.0			3.0		3.0	V
	V _{DD} = 15V, V _O = 1.5V or 13.5V		4.0			4.0		4.0	V
V _{IH} High Level Input Voltage	V _{DD} = 5V, V _O = 0.5V or 4.5V	3.5		3.5			3.5		V
	V _{DD} = 10V, V _O = 1V or 9V	7.0		7.0			7.0		V
	V _{DD} = 15V, V _O = 1.5V or 13.5V	11.0		11.0			11.0		V
I _{OL} Low Level Output Current	V _{DD} = 5V, V _O = 0.4V	0.52		0.44	0.88		0.36		mA
	V _{DD} = 10V, V _O = 0.5V	1.3		1.1	2.25		0.9		mA
	V _{DD} = 15V, V _O = 1.5V	3.6		3.0	8.8		2.4		mA
I _{OH} High Level Output Current	V _{DD} = 5V, V _O = 4.6V	-0.52		-0.44	-0.88		-0.36		mA
	V _{DD} = 10V, V _O = 9.5V	-1.3		-1.1	-2.25		-0.9		mA
	V _{DD} = 15V, V _O = 13.5V	-3.6		-3.0	-8.8		-2.4		mA
I _{IN} Input Current	V _{DD} = 15V, V _{IN} = 0V		-0.3		-10 ⁻⁵	-0.3		-1.0	μA
	V _{DD} = 15V, V _{IN} = 15V		0.3		10 ⁻⁵	0.3		1.0	μA

AC Electrical Characteristics $T_A = 25^\circ\text{C}$, $C_L = 50\text{pF}$, $R_L = 200\text{k}\Omega$, Input $t_r = t_f = 20\text{ns}$, unless otherwise specified.

PARAMETER		CONDITIONS	MIN	TYP	MAX	UNITS
t _{PLH}	Propagation Delay Time From Count Up or Or Count Down To Q	V _{DD} = 5V		250	400	ns
		V _{DD} = 10V		100	160	ns
t _{PHL}		V _{DD} = 15V		80	130	ns
t _{PLH}	Propagation Delay Time From Count Up To Carry	V _{DD} = 5V		120	200	ns
		V _{DD} = 10V		50	80	ns
t _{PHL}		V _{DD} = 15V		40	65	ns
t _{PLH}	Propagation Delay Time From Count or Down To Borrow	V _{DD} = 5V		120	200	ns
		V _{DD} = 10V		50	80	ns
t _{PHL}		V _{DD} = 15V		40	65	ns
t _{SU}	Time Prior To Load That Data Must Be Present	V _{DD} = 5V		100	160	ns
		V _{DD} = 10V		30	50	ns
		V _{DD} = 15V		25	40	ns
t _{PHL}	Propagation Delay Time From Clear To Q	V _{DD} = 5V		130	220	ns
		V _{DD} = 10V		60	100	ns
		V _{DD} = 15V		50	80	ns
t _{PLH}	Propagation Delay Time From Load To Q	V _{DD} = 5V		300	480	ns
		V _{DD} = 10V		120	190	ns
t _{PHL}		V _{DD} = 15V		95	150	ns
t _{TLH}	Output Transition Time	V _{DD} = 5V		100	200	ns
		V _{DD} = 10V		50	100	ns
t _{THL}		V _{DD} = 15V		40	80	ns
f _{CL}	Maximum Count Frequency	V _{DD} = 5V	2.5	4		MHz
		V _{DD} = 10V	6	10		MHz
		V _{DD} = 15V	7.5	12.5		MHz
t _{RCL}	Maximum Count Rise Or Fall Time	V _{DD} = 5V	15			μs
		V _{DD} = 10V	5			μs
t _{fCL}		V _{DD} = 15V	1			μs
t _{WH,tWL}	Minimum Count Pulse Width	V _{DD} = 5V		120	200	ns
		V _{DD} = 10V		35	80	ns
		V _{DD} = 15V		28	65	ns
t _{WH}	Minimum Clear Pulse Width	V _{DD} = 5V		300	480	ns
		V _{DD} = 10V		120	190	ns
		V _{DD} = 15V		95	150	ns
t _{WL}	Minimum Load Pulse Width	V _{DD} = 5V		100	160	ns
		V _{DD} = 10V		40	65	ns
		V _{DD} = 15V		32	55	ns
C _{IN}	Average Input Capacitance	Load and Data Inputs (A,B,C,D)		5	7.5	pF
		Count Up, Count Down and Clear		10	15	pF
C _{PD}	Power Dissipation Capacity	(Note 3)		100		pF

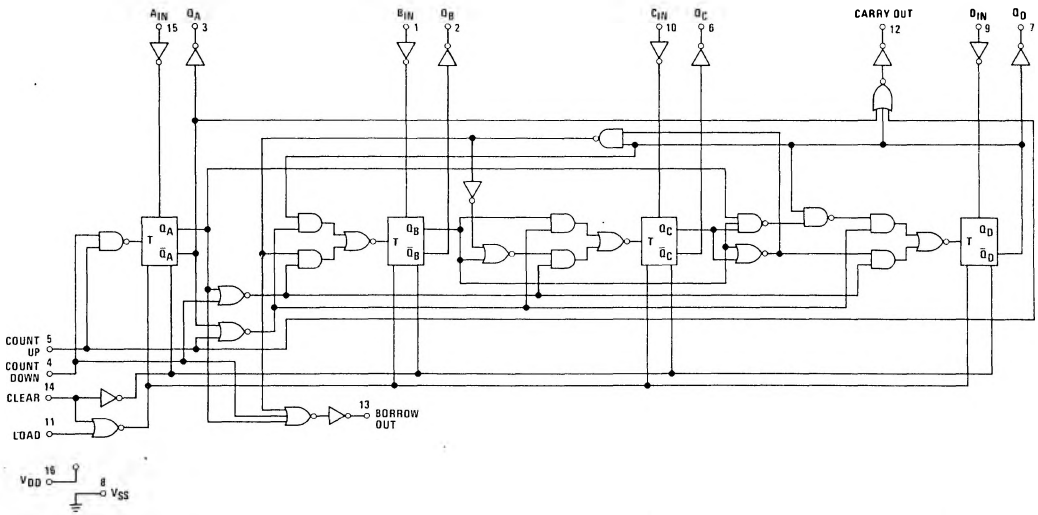
Note 1: "Absolute Maximum Ratings" are those values beyond which the safety of the device cannot be guaranteed; they are not meant to imply that the devices should be operated at these limits. The table of "Recommended Operating Conditions" and "Electrical Characteristics" provides conditions for actual device operation.

Note 2: V_{SS} = 0V unless otherwise specified.

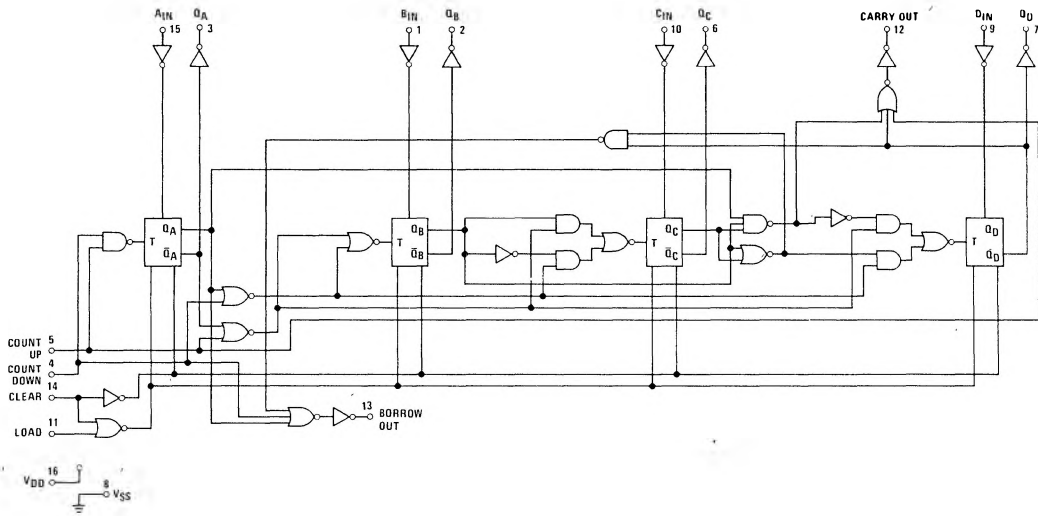
Note 3: C_{PD} determines the no load ac power consumption of any CMOS device. For complete explanation, see 54C/74C Family Characteristics application note, AN-90.

Schematic Diagrams

CD40192BM/CD40192BC, CD40193BM/CD40193BC

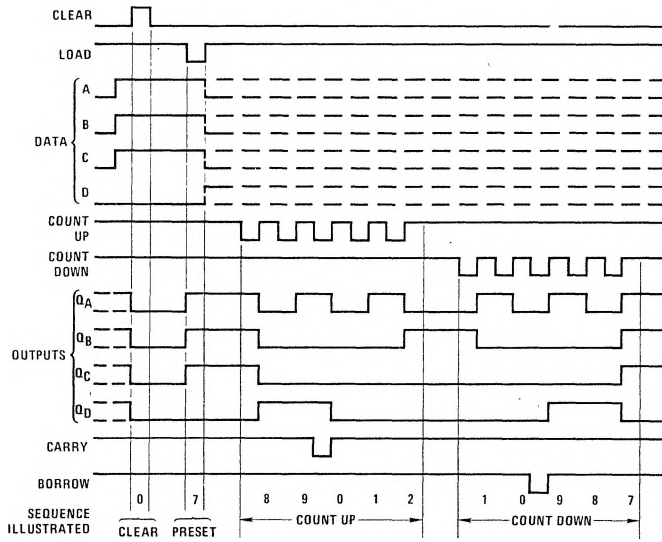


CD40192BM/CD40192BC Synchronous 4-Bit Up/Down Decade Counter



CD40193BM/CD40193BC Synchronous 4-Bit Up/Down Binary Counter

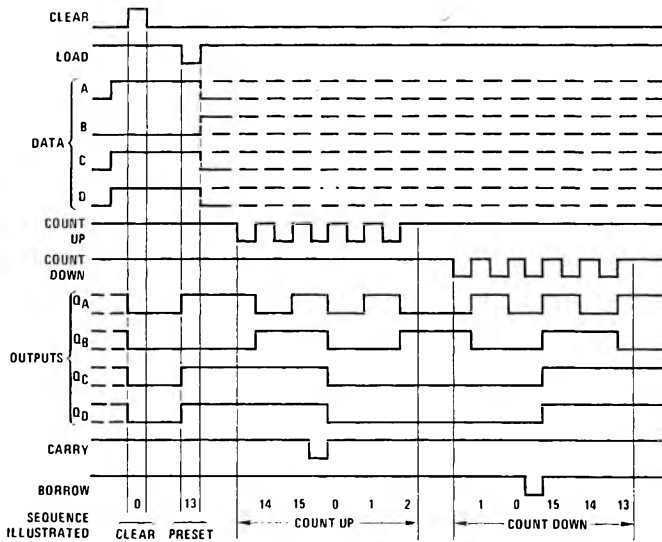
Timing Diagrams



Sequence:

1. Clear outputs to zero.
2. Load (preset) to BCD seven.
3. Count up to eight, nine, carry, zero, one and two.
4. Count down to one, zero, borrow, nine, eight and seven.

CD40192BM/CD40192BC



Sequence:

1. Clear outputs to zero.
2. Load (preset) to binary thirteen.
3. Count up to fourteen, fifteen, carry, zero, one and two.
4. Count down to one, zero, borrow, fifteen, fourteen and thirteen.

CD40193BM/CD40193BC